



24V 200Ah

UU 24-200 LiFePO₄ Battery Pack
Name: LITHIUM ION BATTERIES
Model: BES-UU 24-200

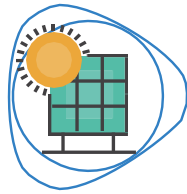
BES

UU24-200 LiFePO₄ Battery Pack



Application Places

For no city power areas, the battery pack can be charged by solar panels and used for night lighting; For the areas that city power is expensive, the battery pack can be charged during the electricity valley value period, and used at the peak power period; For the areas which power off from time to time, the battery pack can be used as UPS, to avoid information loss caused by sudden power outage. The battery pack is applicable to commercial lighting, industrial lighting, home lighting, outdoor lighting, camping tourism, farming, planting, the night market stalls, etc.



Clean energy

Using sunlight to achieve clean energy charging can supply power to household appliances.



Storing energy

Realize the freedom of electricity consumption in the area where there is no electricity and less electricity.



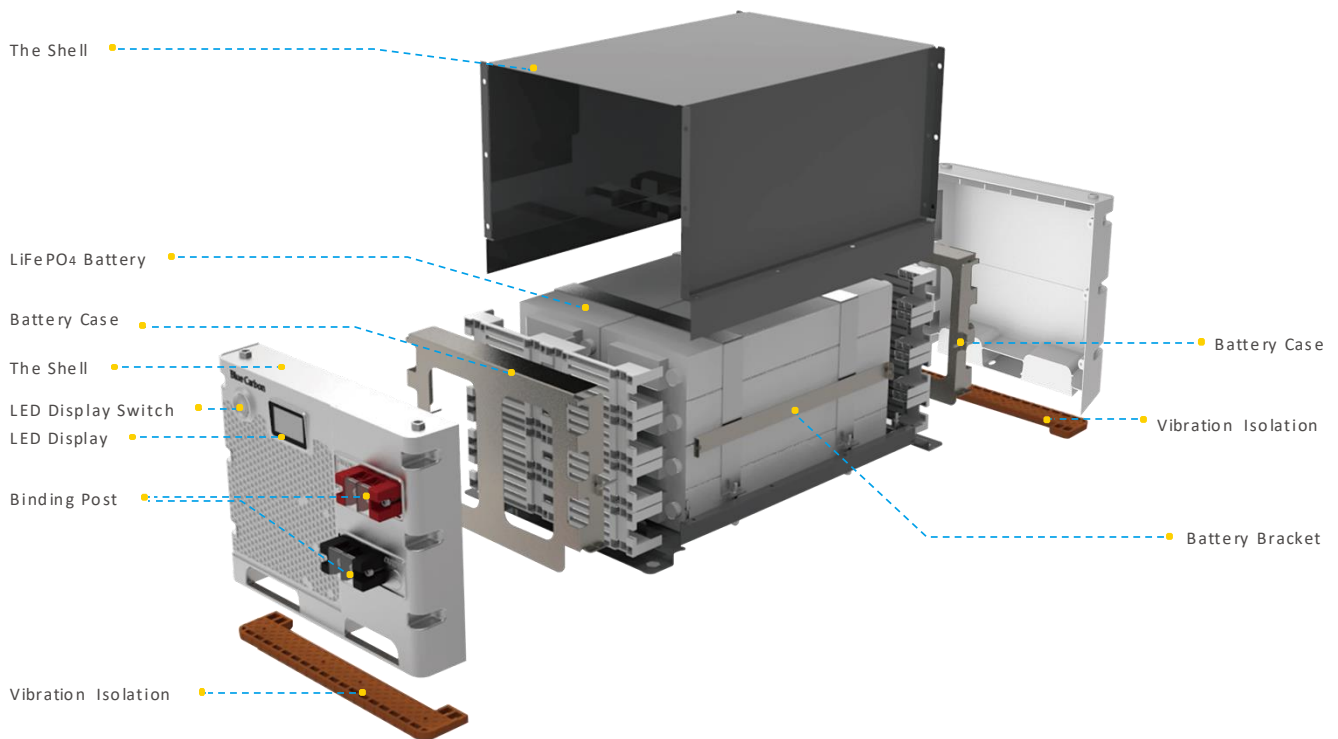
Household appliances

Free electricity

Storing the power from the solar panel, to be used as reserve power or emergency power supply. At night or at the time of power outage, it can supply the power, to electrical appliances by using the stored energy, to avoid the inconvenience caused by power outage, so that you can calmly deal with the situation of power outages.

BES

INSTRUCTIONS



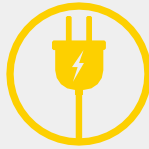
6 KINDS OF SAFETY PROTECTION



Charging Overvoltage Protection



Discharge Undervoltage Protection



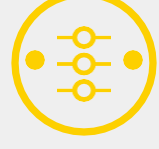
Charging Overcurrent Protection



Discharge Overcurrent Protection



Short Circuit Protection



Temperature Protection

Product Details

LiFePO₄ battery

Stable discharge, long cycle life, safe and environmental protection, high safety performance.



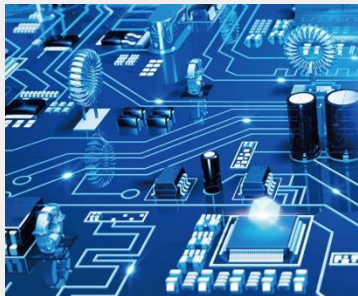
XT90 Gold plated plugs

Gold-plated brass, ensure the stable transmission of current.



BMS

Protect the battery, Prevent battery damage, Extend battery life.



Imported components



Comply with UL standard safety certification



Separate driver modules



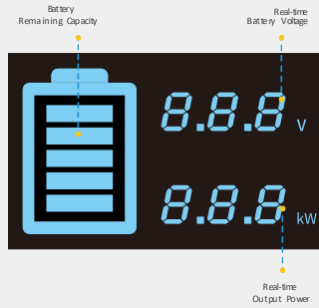
Use insulation materials

LED display

Observe the power usage at any time.



Function Introduction

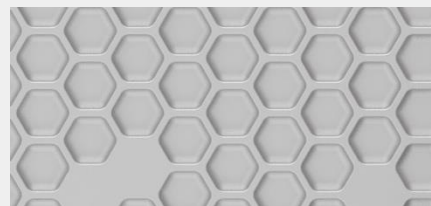
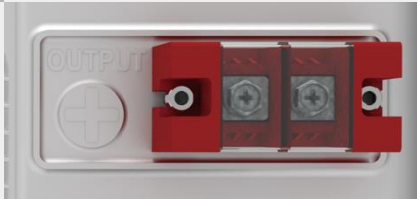


Main switch

Stainless steel push button switch, Protect the upgrade.

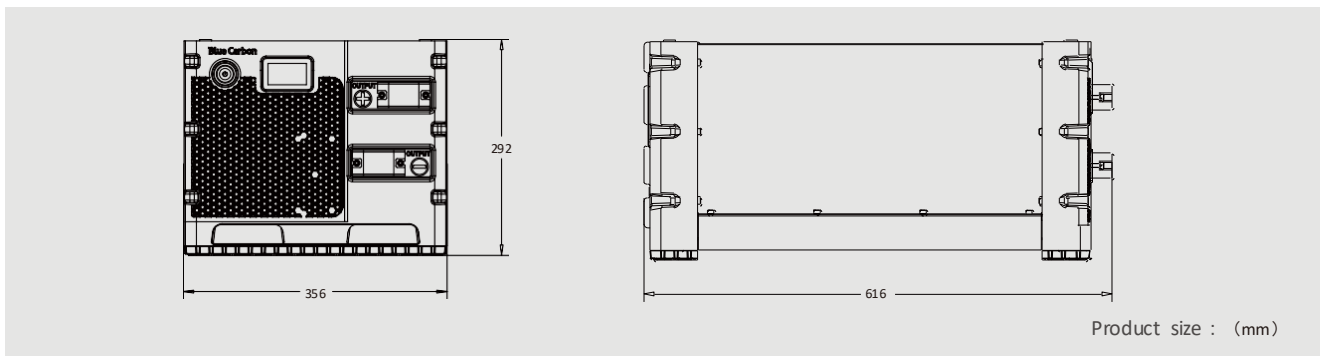
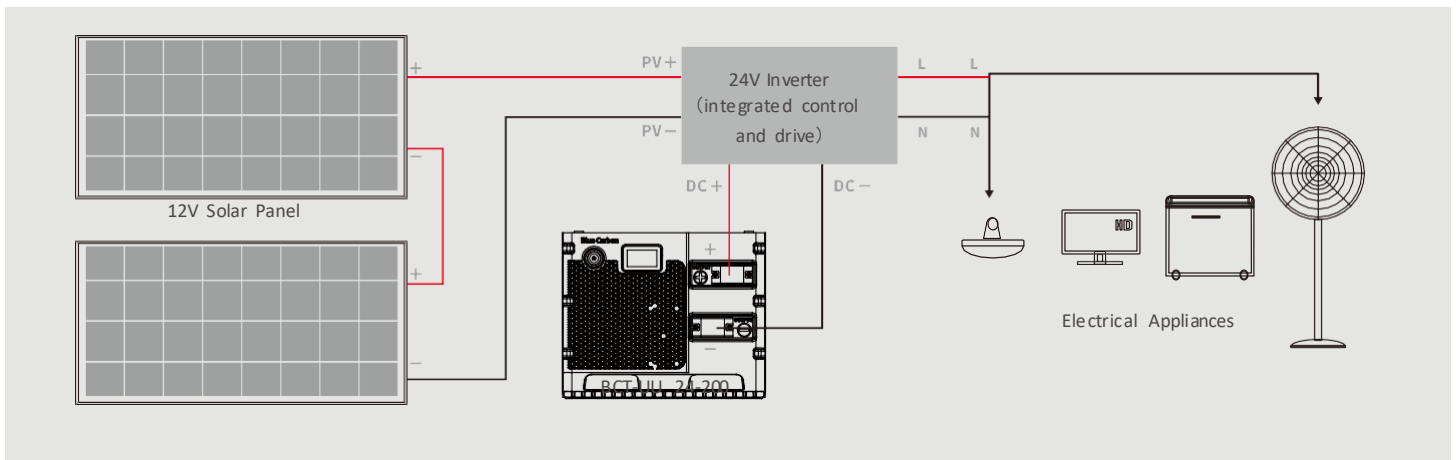
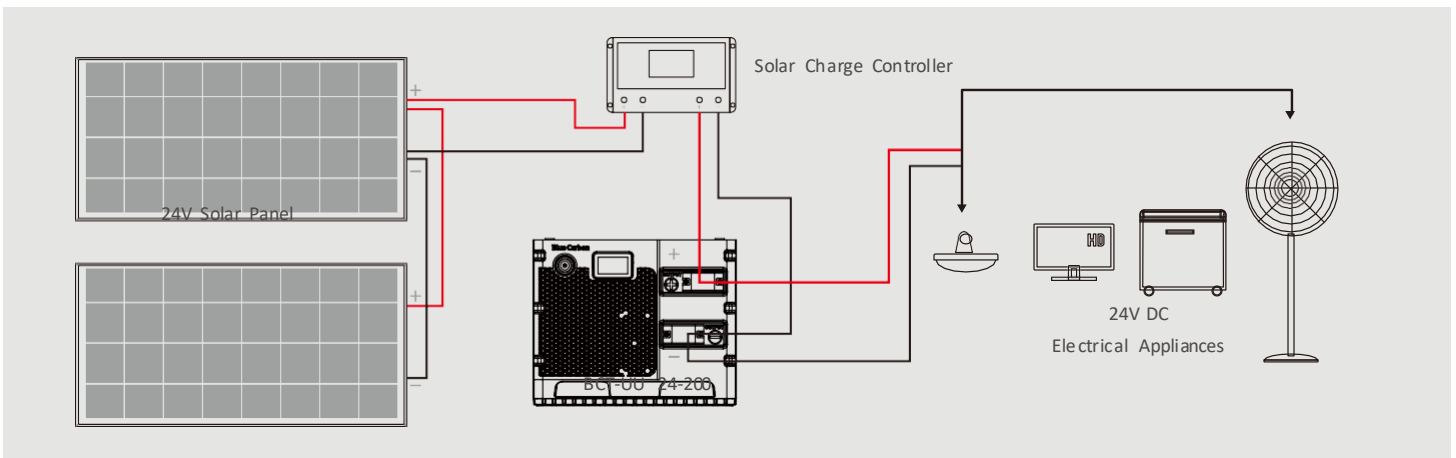
Binding post

Insulated flame retardant, fast and efficient.



High quality aluminium magnesium alloy

Anti-corrosion, substantial, durable, artistic, practical.



Advantages

- High quality aluminium magnesium alloy, anti-corrosion, substantial, durable, artistic, practical. All in one mould design and production, easy to install.
- With longer span life LiFePO₄ battery, over 12 years lifespan, ensure the whole set products' life span. Dustproof structure design, DC output, safe and reliable.
- Integrated packaging, safe and convenient to transport.

Technical Parameters

Model	BES-UU 24-200	
Basic Specifications	Nominal Capacity	200Ah
	Nominal Voltage	24V(25.6V)
	Electricity(kWh)	5.12 kWh
Input	Full charge Voltage	28.8V-30V
	Maximum Charging Voltage	50V
	Input Voltage Range	30V-50V
	Continuously Use Input Current	100A
	Maximum Solar Panel Input Current	100A
	Rshoot delay protection	1000ms
Output	Continuously Use Output Current	100A
	Discharge Cut-off Voltage	20V-24V
	Over-Discharge Delay Protection	1000ms
	Short Circuit Protection Delay	300us
	Short Circuit Protection Recovery	Disconnect load

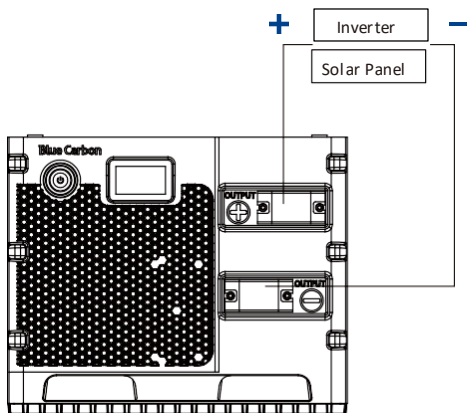
Battery	Cell type	LiFePO ₄ Battery/LFP
	Storage temperature range	Short-Term -20°C-40°C(Within 1 month)
		Long-term 10°C-35°C(Within 1 year)
	Operating temperature range	-15°C-60°C
	Recommended temperature range	10°C-40°C
	Storage humidity	≤75 % RH
	Atmospheric pressure	Below 5000 above sea level
	Self-Discharge (25°)	<3%/Month
	Depth of discharge	>80%
	C-rate Discharge	<0.8C
Cycle life	> 5000 times (< 0.5c)	
Other	Certification standards	UN38.3/CE/MSDS/DGM
	Warranty	5 years
	Product size	616±2×356±2×292±2mm
	Packing size	680±2×430±2×372±2mm

BES

Instructions

Attention:

1. It is forbidden to use any high-voltage to charge it. The open circuit voltage of 12V battery pack can not exceed 22V, 24V battery pack can not exceed 44V and 48V battery pack can not exceed 88V. The maximum open circuit voltage of solar panel can not exceed twice of the voltage of battery.
2. Please use a MPPT controller with lithium iron phosphate battery mode.
3. The output must have high-voltage isolation function when using high-voltage MPPT controller.
4. When the source voltage of the charging terminal is higher than 88V, in order to prevent the failure of the voltage conversion device in the middle and cause overcharging of the battery. The high-voltage circuit breaker with charging protection function must be connected between the charging controller and the battery.
5. 12V battery pack, maximum support 4 battery packs in series, the highest charging voltage of 4 battery packs in series is less than 88V, and the highest charging voltage of 2 battery packs in series is less than 44V. 24V battery pack, maximum support 2 battery packs in series, the highest charging voltage of 2 battery packs in series is less than 88V. 48V battery pack, it is forbidden to use in series. Ensure the batteries are discharged to empty condition or fully charged before connecting them in series. Ensure the voltage of batteries are consistent before connecting the batteries in parallel.
6. It is forbidden to connect the positive and negative poles reversely and short circuit the positive and negative poles of the battery pack; The overload is strictly prohibited.
7. The battery pack should not be used in severe vibration scenarios.
8. It is strictly prohibited to put in water and clean the battery pack, and do not place the product in the outdoor exposed place for a long time to prevent rain or moisture.
9. It is forbidden to use or place the battery at high temperature. If battery is used for a long time, the recommended optimal ambient temperature is 10-40°C.
10. The battery should not be placed in the room where any combustible gas or flammable items are stored, and should be used in a clean, dry and ventilated environment.
11. It is strictly prohibited to knock, throw, reverse or trample on the battery pack. It is strictly prohibited to use the battery pack when the appearance is seriously damage (artificial knocking, scraping, falling from height, unauthorized disassembly of the products, etc.).
12. It is strictly forbidden to dump or invert the product.



Please strictly following the above operating rules when using the battery pack.

The Advantages and Characteristics of LiFePO₄ Battery

- Volume: The capacity of LiFePO₄ battery is bigger than lead- acid cell, with the same volume, it is double of Lead-acid battery.
- Weight: LiFePO₄ is light. The weight is just 1/3 of lead-acid cell with the same capacity.
- Discharge rate: LiFePO₄ battery can discharge with maximum current , it is used in electric vehicles and electric bicycles.
- No memory effect: No matter the LiFePO₄ Battery is in which conditions, it can be charged and discharged whenever you like, no need to discharge totally then charge for it.
- Durability: The durability of LiFePO₄ Battery is powerful and consumption is slow. The time of charging and discharging is more than 2000times. After 2000times circulation, the capacity of the battery is still more than 80%.
- Security: LiFePO₄ battery passed the strict safety testing, with higher safety performance.
- Environmental protection: Lithium materials not have any poisonous and harmful substance. It is regarded as green and environmental protection battery. The battery has no any pollution no matter in the process of production or in the process of using.
- Well graded and combination. After multi-selection, to ensure each cell qualified with long life ; The connection tech of all interface, be safe and durable, with simple maintenance.
- Multi-layer protection structure, shockproof, anti explosion and fire. Safe and durable for long run.
- Security and reliability, compared with lead-acid battery, the materials of LiFe PO₄ is the securest, the best choice of solar energy storage battery.

Storage and Transportation

- Based on the character of cell, proper environment for transportation of LiFePO₄ battery pack need to be created to protect the battery.
- Battery should be kept in warehouse where it's dry, clean and well-ventilated.
- During loading of battery, attention must be paid against dropping, turning over and serious stacking.

Notices

- Never use or keep the battery under the high temperature. Otherwise it will cause battery heat, get into fire or lose some function and reduce the life.
- Never throw the battery into fire or heating machine to avoid fire, explosion and environment pollution; scrap battery should be returned to the supplier and handled by the recycle station.
- Never use the battery under strong static and strong magnetic field, otherwise it will destroy the protecting device.
- If battery leaked, the electrolyte get into eyes, please don't knead, please wash eyes by water and send to hospital. Otherwise it will hurt eyes.
- If battery emit peculiar smell, heating, distortion or appear any unconventionality during using, storage or charging process, please take it out from device or charge and stop using.
- Never cut the battery in socket directly; please use the stated charger when charging.
- Check the voltage of battery and relevant connectors before using the battery. It can't be used until everything turns out to be normal.
- Prior to charging, fully check the insulativity, physical condition and ageing status, since breakage and ageing are never allowed.
- The battery should be stored in half SOC. It needs to be charged once if out of use for as long as half a year.
Clean the dirty electrode, if any, with a clean dry cloth, or poor contact or operation failure may occur.
-

Warning

- Never knock, throw or trample the battery. Never
- upside down the positive and negative.
- Never connect the positive and negative of battery with metal. Never
- ship or store the battery together with metal.
- Never cut through the battery with nail or other edge tool.
- Never throw the battery into water, please keep it under dry, shady and cool circumstance when not use.

BES

SCENES TO BE USED



BES

APPLICATION CASE

