

SOLAR GARDEN LIGHT SERIES >>>

SOLAR GARDEN LIGHT

BCT-OLG3.0

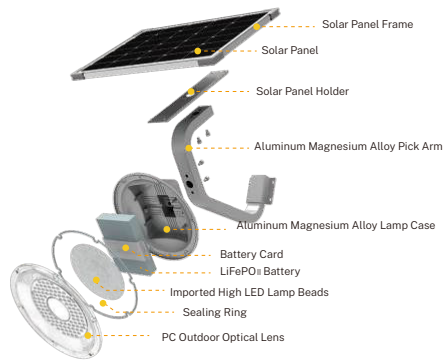
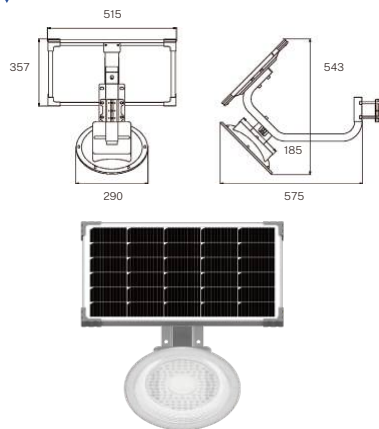
Product Parameters

Solar Panel	5V/35W (Mono)
Battery	3.2V/25(±5)Ah LiFePO ₄ Battery
Light Power	2000lm (Common 20W LED)
Installation Height	3-5m
Installation Distance	15-20m
Installation Way	Holding pole installation, wall mounted installation



Lighting Time:
6+X/Intelligent power control, and can use remote control to adjust brightness and working mode.

Product Size (Unit: mm)



SOLAR APPLE LIGHT

BCT-OLA1.0S

Product Parameters

Solar Panel	5V/18W (Mono)
Battery	3.2V/13Ah LiFePO ₄ Battery
Light Power	450lm (Common 7W LED)
Installation Height	2.5-3.5m
Installation Distance	10-15m
Installation Way	Holding pole installation, wall mounted installation



Lighting Time:
6+X/Intelligent power control, and can use remote control to adjust brightness and working mode.

Product Size (Unit: mm)

