

SOLAR SIMPLIFY LIGHT

BCT-OLJP

Product Parameters

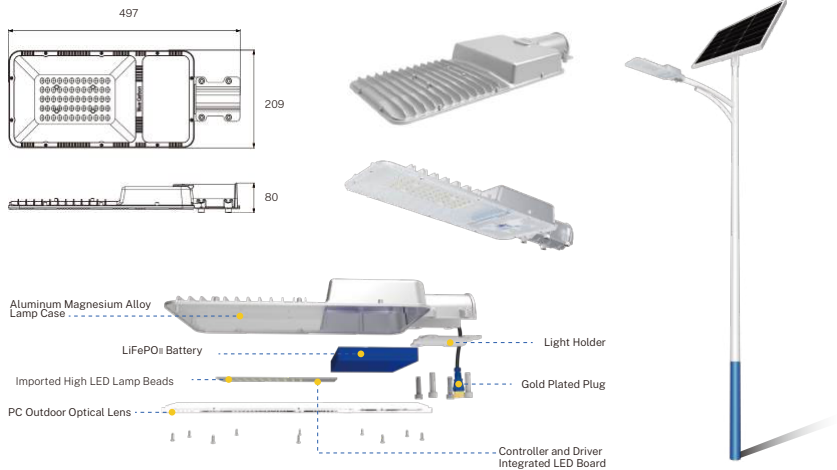
Solar Panel	5V/60W (Mono)	5V/70W (Mono)
Battery	3.2V/25 (±5)Ah LiFePO ₄ Battery	3.2V/40 (±5)Ah LiFePO ₄ Battery
Light Power	2100lm (Common 20W LED)	2100lm (Common 20W LED)
Installation Height	5-6m	5-6m
Installation Distance	20-30m	20-30m
Installation Way	Straight pole installation, holding pole installation, wall mounted installation; the angle of solar panel is adjustable.	



Lighting Time:

6+X/Intelligent power control, and can use remote control to adjust brightness and working mode.

Unit: mm



SOLAR MINI SIMPLIFY LIGHT

BCT-OLMJ1.0

Product Parameters

Solar Panel	5V/25W
Battery	3.2V/25Ah LiFePO ₄ Battery
Light Power	1900lm (Common 20W LED)
Installation Height	4.5-5m
Installation Distance	15-20m
Installation Way	Holding pole installation, wall mounted installation; the angle of solar panel is adjustable



Lighting Time: 6+X/Intelligent power control, and can use remote control to adjust brightness and working mode.

Unit: mm

