

SOLAR KING LIGHT 1.0

BCT-OLK1.0



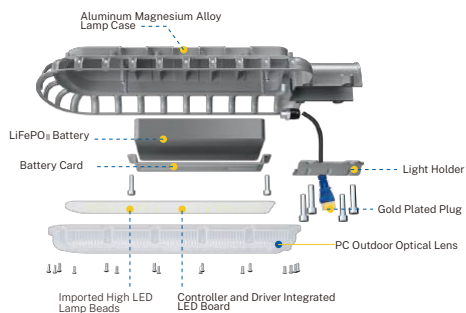
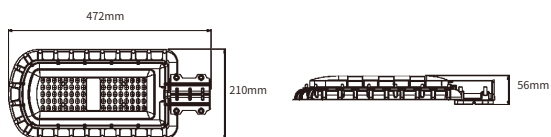
Product Parameters

Solar Panel	5V/60W (Mono)
Battery	3.2V/25 (±5)Ah LiFePO ₄ Battery
Light Power	2200lm(Common 24W LED)
Installation Height	4.5-5m
Installation Distance	15-20m
Installation Way	Straight pole installation, holding pole installation, wall mounted installation; the angle of solar panel is adjustable.

Lighting Time:

6+X/Intelligent power control, and can use remote control to adjust brightness and working mode.

Unit: mm



MINI KING LIGHT 1.0

BCT-OLK1.0-M



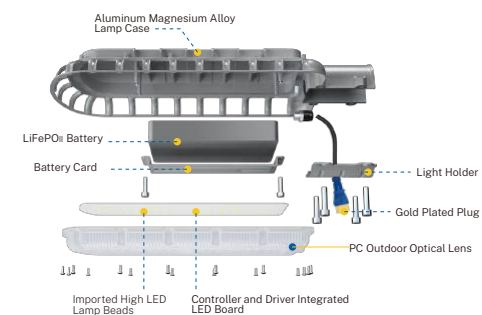
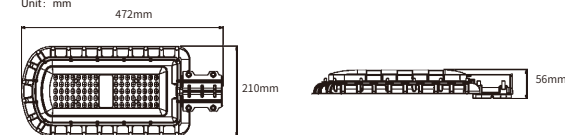
Product Parameters

Solar Panel	5V/25W
Battery	3.2V/25 (±5)Ah LiFePO ₄ Battery
Light Power	2200lm(Common 20W LED)
Installation Height	4.5-5m
Installation Distance	15-20m
Installation Way	Straight pole installation, holding pole installation, wall mounted installation; the angle of solar panel is adjustable.

Lighting Time:

6+X/Intelligent power control, and can use remote control to adjust brightness and working mode.

Unit: mm

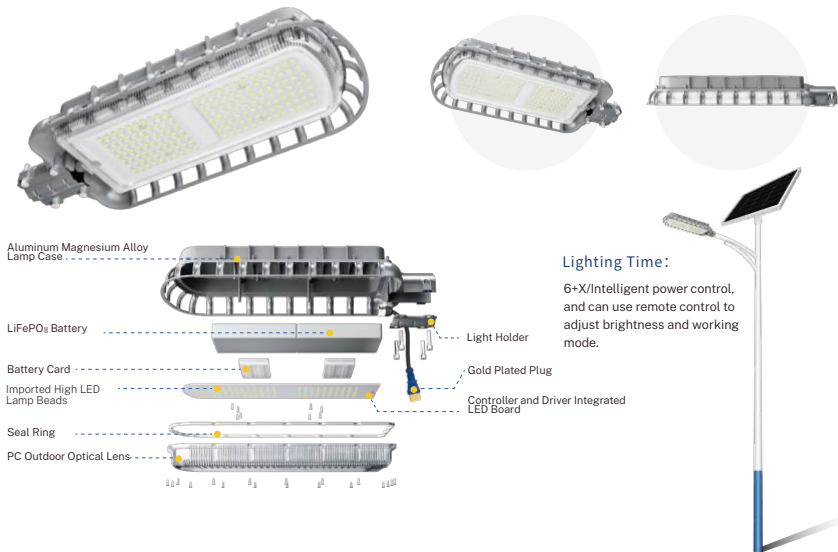
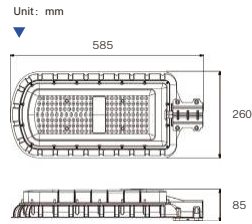


SOLAR KING LIGHT 2.0

BCT-OLK2.0

Product Parameters

Solar Panel	5V/90W (Mono)	5V/105W (Mono)
Battery	3.2V/70 (±5)Ah LiFePO ₄ Battery	3.2V/90 (±5)Ah LiFePO ₄ Battery
Light Power	3600lm(Common 36W LED)	5800lm(Common 56W LED)
Installation Height	6-7m	8-10m
Installation Distance	25-35m	35-45m
Installation Way	Straight pole installation, holding pole installation, wall mounted installation; the angle of solar panel is adjustable.	



SOLAR CROSSBOW LIGHT

BCT-OLC2.0

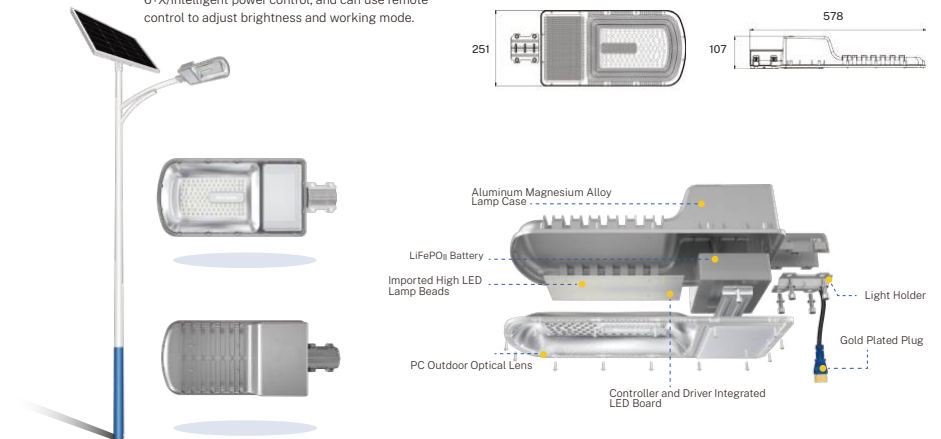
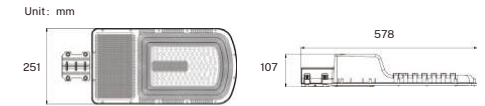
Product Parameters

Solar Panel	5V/70W (Mono)	5V/90W (Mono)	5V/105W (Mono)
Battery	3.2V/50 (±5)Ah LiFePO ₄ Battery	3.2V/50 (±5)Ah LiFePO ₄ Battery	3.2V/70 (±5)Ah LiFePO ₄ Battery
Light Source	3200lm (Common 30W LED)	3200lm (Common 30W LED)	5400lm (Common 50W LED)
Installation Height	5.5-6m	6-7m	8-9m
Installation Distance	25-30m	30-35m	35-40m
Installation Way	Straight pole installation, holding pole installation, wall mounted installation; the angle of solar panel is adjustable.		



Lighting Time:

6+X/Intelligent power control, and can use remote control to adjust brightness and working mode.



SOLAR KING LIGHT 3.0

BCT-OLK3.0



Product Parameters

Solar Panel	5V/160W (Mono)	Installation Height	8-10m
Battery	3.2V/160 (±5)Ah LiFePO ₄ Battery	Installation Distance	35-45m
Light Power	8400lm (Common 80W LED)		
Solar Panel	5V/180W (Mono)	Installation Height	10-12m
Battery	3.2V/200 (±5)Ah LiFePO ₄ Battery	Installation Distance	35-45m
Light Power	14000lm (Common 120W LED)		

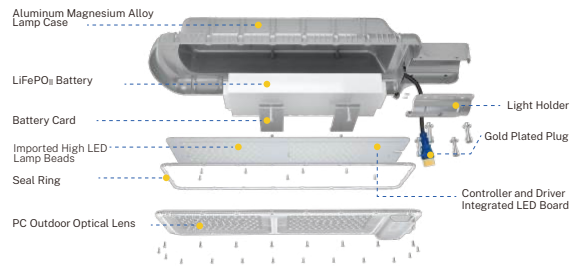
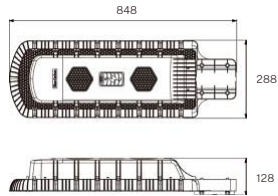
Installation Way:

Straight pole installation, holding pole installation, wall mounted installation; the angle of solar panel is adjustable.

Lighting Time:

6+X/Intelligent power control, and can use remote control to adjust brightness and working mode.

Unit: mm



SOLAR SIMPLIFY LIGHT

BCT-OLJ2.0

128 Beads

Upgrade solar crossbow light
15% increase in ground illumination

Product Parameters

Solar Panel	5V/70W (Mono)	5V/90W (Mono)
Battery	3.2V/45 (±5)Ah LiFePO ₄ Battery	3.2V/45 (±5)Ah LiFePO ₄ Battery
Light Power	3000lm (Common 30W LED)	3000lm (Common 30W LED)
Installation Height	6-7m	6-7m
Installation Distance	20-25m	20-25m
Installation Way	Straight pole installation, holding pole installation, wall mounted installation; the angle of solar panel is adjustable.	

Lighting Time:

6+X/Intelligent power control, and can use remote control to adjust brightness and working mode.

Unit: mm

