



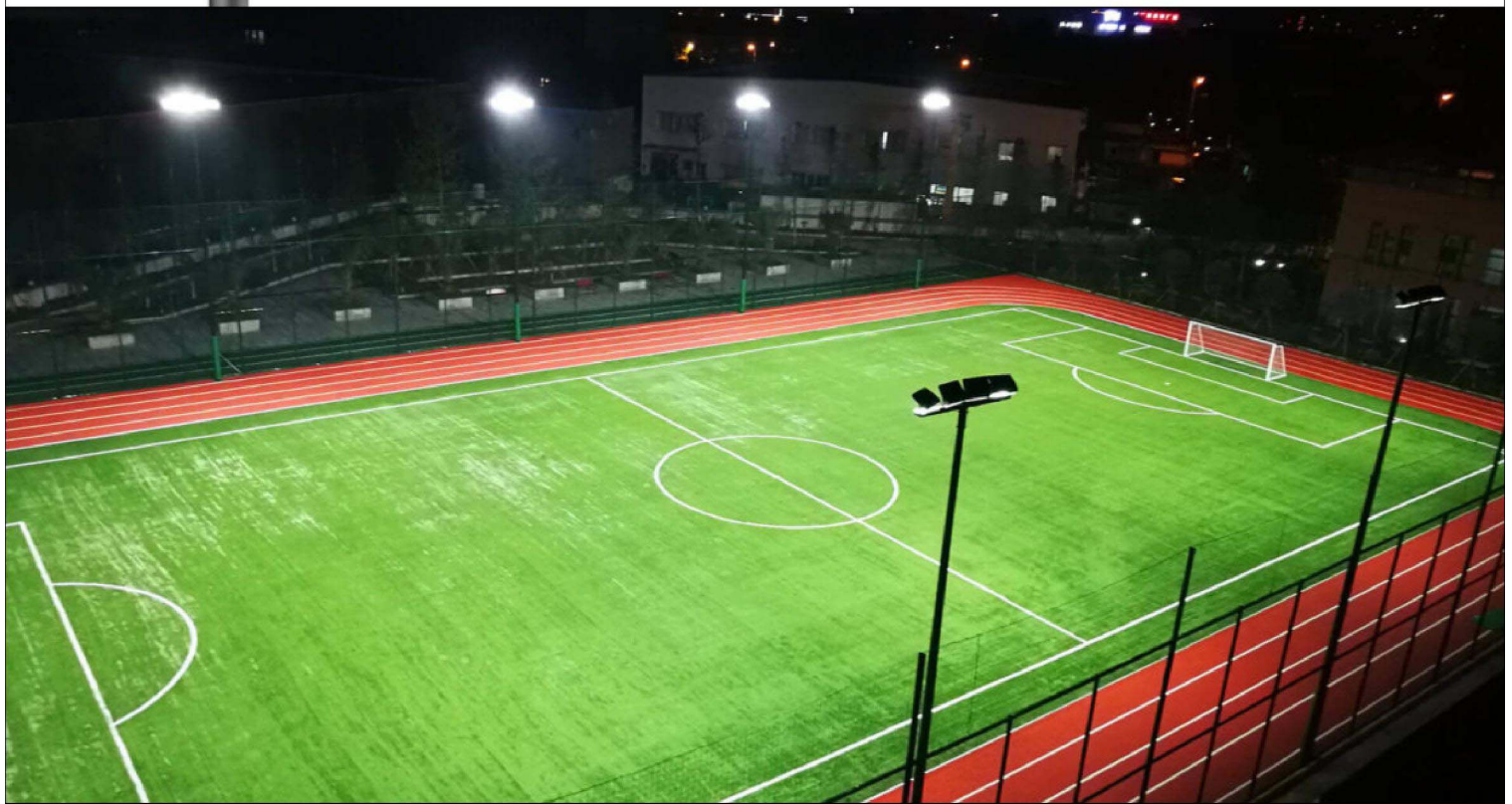
# SPECIFICATION

## LED FLOOD LIGHT



**10** years experience of LED industrial light

L80 exceeds **80,000** hours



LED modular flood light are ultimate replacement light fixtures.

Has been developed to ensure maximum energy efficiency in combination with modern technologies in LED lighting innovation.

**CE**  **ISO:9001 LM-79**  
**ISO:14001 LM-80**



## Main Features

- High pressure die cast aluminum alloy housing.
- Anti-corrosion with Electrophoresis process.
- High performance design with multi-chips Package 5050 LED source and exclusive Lens to stable performance, low light failure and no dead lights.
- The light transmittance up to 98%. Luminous efficacy up to 160-170lm/w.
- 25°, 40°, 60°, 90°, 145x100°, 150° for option, Uniform light distribution apply to different industrial light project.
- Excellent operating temperature -40°C ~ 50°C
- 100° adjusted angle available for outdoor & indoor lighting application.
- Green product, no UV, IR radiation or mercury pollution Passed IEC62471.
- With Excellent housing design reach IP66/IK10 rating.
- Installation method is option by wall mounted & pole mounted
- 0-10V, DALI system, Microwave motion upon request.
- CE, RoHS, CB, LM-79, LM-80 approved.
- Life-span over 50,000 hours, 5 years warranty.

# Parameters

## Electric Data

Model	LY-HB0601	LY-HB0602	LY-HB0603	LY-HB0604	LY-HB0605	LY-HB0606	LY-HB0608	LY-HB0610
Power	50W	100W	150W	200W	250W	300W	400W	500W
Power Efficiency	88%	90%	90%	90%	90%	90%	90%	90%
Power Factor	>0.95	>0.95	>0.95	>0.95	>0.95	>0.95	>0.95	>0.95
Power Supply	MOSO/MEANWELL/SOSEN							
Working Voltage	90-305V / 249-528V AC, 50/60Hz							

## Photometric Specifications

LEDs	5050 LED							
CRI	>70							
Luminous Efficiency	155-160lm/w							
LEDs Qty	28pcs	56pcs	84pcs	112pcs	140pcs	168pcs	224pcs	280pcs
Luminous Flux(±5%)	7800lm	15600lm	23400lm	31200lm	39000lm	46800lm	62400lm	78000lm
CCT	3000K/4000K/5000K/5500K							
Beam angle	25°/40°/60°/90°/145x100°/150°							

## Mechanical Specifications

IP/IK Rate	IP66/IK10							
Lifespan	>50,000 Hours							
Inclination Angle	100°							
Housing Material	Aluminum6063-T5							
Lens Material	PC							
N.W.(KG)	2.5	3.6	4.0	5.0	6.0	9	11	13
Light size (mm)	260x105x195	260x168x195	260x258x195	260x348x195	438x260x195	520x258x195	520x348x195	520x438x195
Light size (inch)	10.2x4.1x7.7	10.2x6.7x7.7	10.2x10.2x7.7	10.2x13.7x7.7	17.2x10.2x7.7	20.5x10.2x7.7	20.5x13.7x7.7	20.5x17.3x7.7
Working Temperature	-40°C~50°C, 20%~90% H.R							
Storage Temperature	-40°C~85°C, 10%~90% H.R							
Certificates/Test	CE ROHS CB IP66 IK10 LM79 LM80							



160lm/W



IP66



IK10



Warranty



Green Product



Earth Wire

# External Design Features



## Product Details

### IP67 Module IP66 Whole Lamp

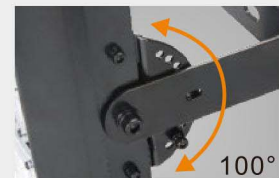
100% pure aluminum heat sink, excellent heat dissipation

Robust structure, painted in Electrophoresis process

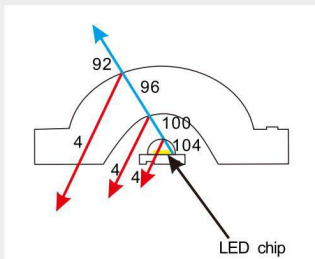
IP66 grade (corrosion-proof, water-proof and dust-proof), IK10 impact grade

Optics lens in 25°, 40°, 60°, 90°, 145x100°, 150° to satisfy different requirement

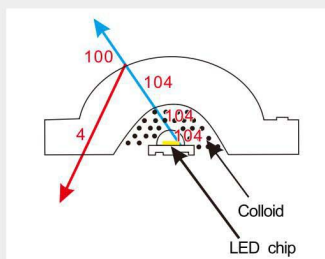
LM80 Bridgelux SMD5050 LED chip, up to 160lm/w system efficiency



## High efficiency



Normal Distribution Lens



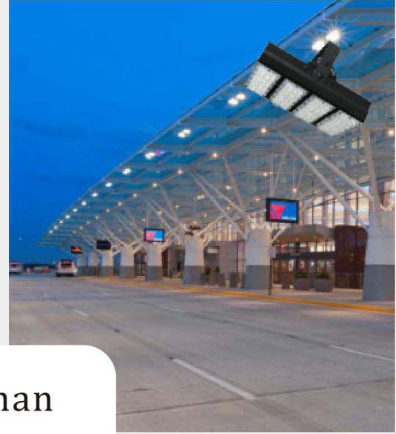
Zero-Air Tech Lens



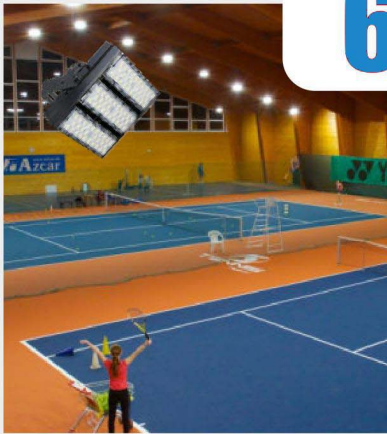
Adoption of Lepower developed "Adaptable Colloid Tech" to achieve "Zero air" space between LED and Lens, make up the loss of light reflected. Light transmittance >98%

# Case Study

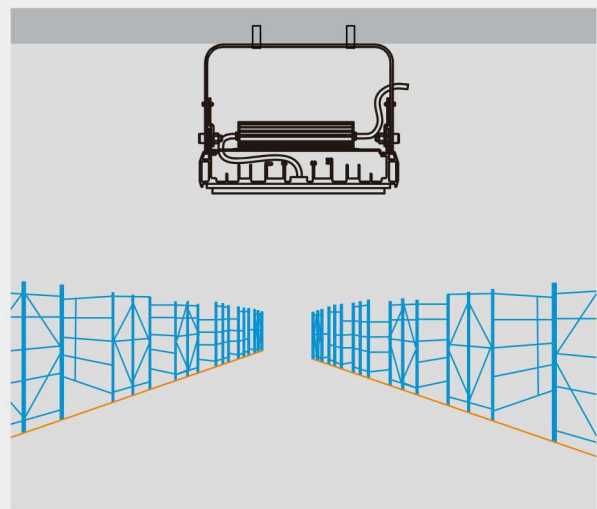
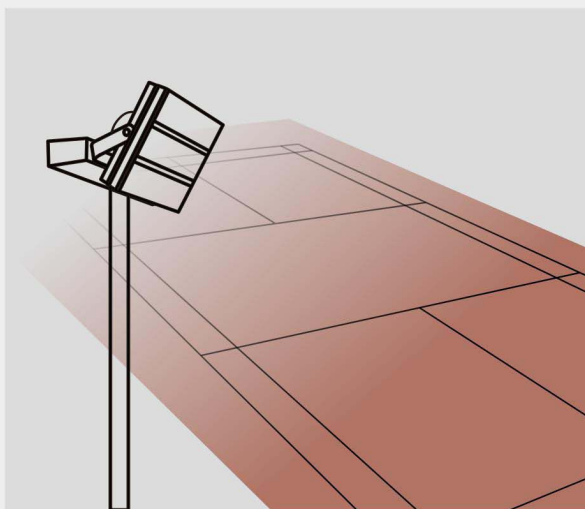
LED flood lamp applied for Outdoor & Industrial lighting application.



**One** solution for more than  
**6** different applications  
saving your targets & cost

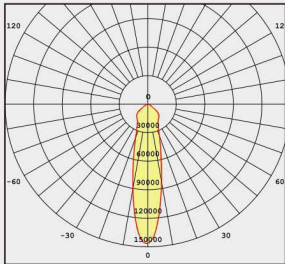


## Installation



# Distribution Curve

25°

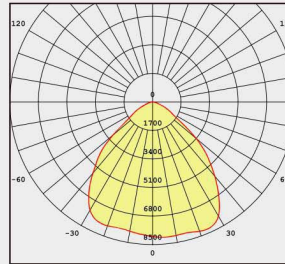


AVERAGE BEAM ANGLE (50%):24.0 DEG

UNIT:cd  
 — C0/180,23.9°  
 — C90/270,24.2°

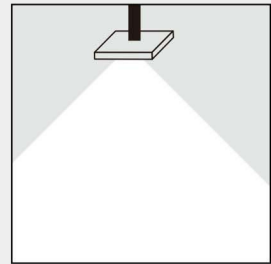


90°

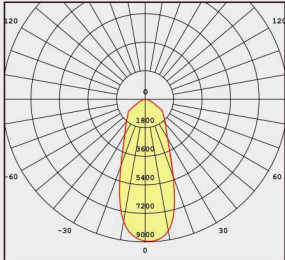


AVERAGE BEAM ANGLE (50%):91.4 DEG

UNIT:cd  
 — C0/180,93.0°  
 — C90/270,89.8°

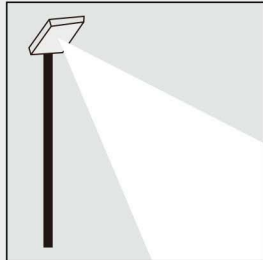


40°

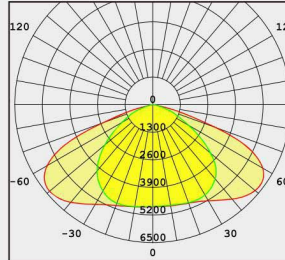


AVERAGE BEAM ANGLE (50%):42.9 DEG

UNIT:cd  
 — C0/180,42.1°  
 — C90/270,43.6°

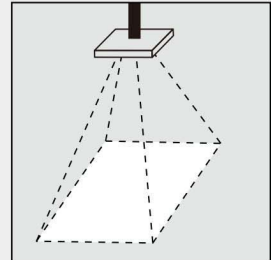


145°X100°

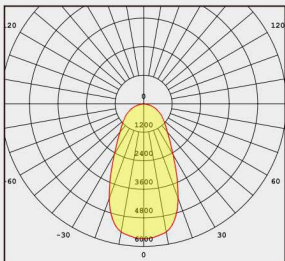


AVERAGE BEAM ANGLE (50%):124.0 DEG

UNIT:cd  
 — C0/180,143.4°  
 — C90/270,97.2°

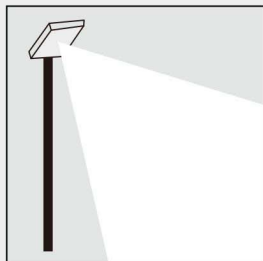


60°

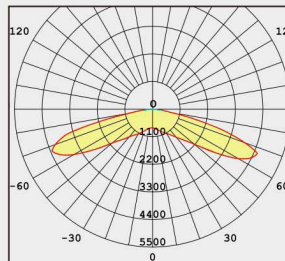


AVERAGE BEAM ANGLE (50%):57.3 DEG

UNIT:cd  
 — C0/180,57.9°  
 — C90/270,56.6°

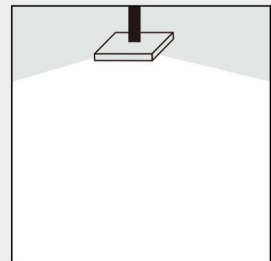


150°

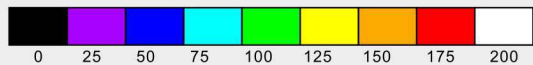
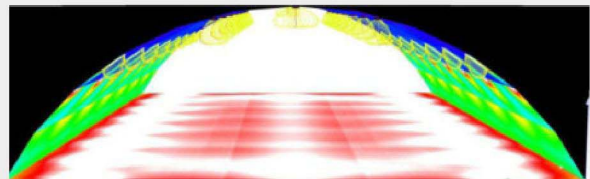
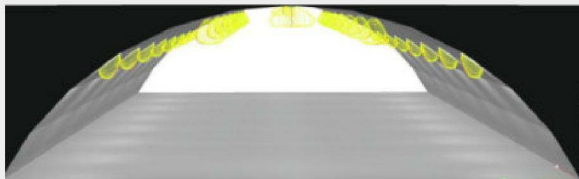


AVERAGE BEAM ANGLE (50%):166.0 DEG

UNIT:cd  
 — C0/180,166.8°  
 — C90/270,164.1°

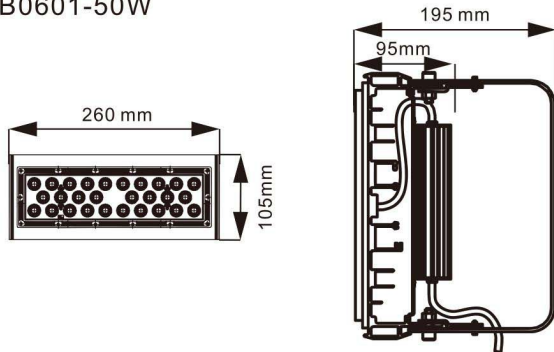


## Dialux

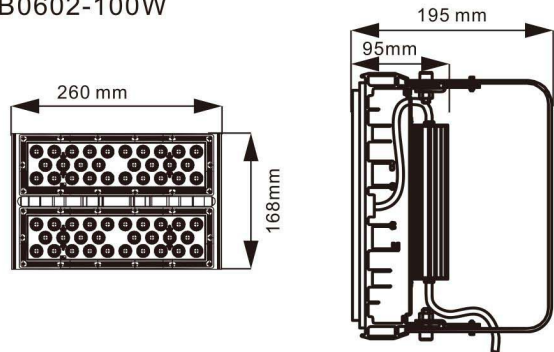


# Dimension(mm)

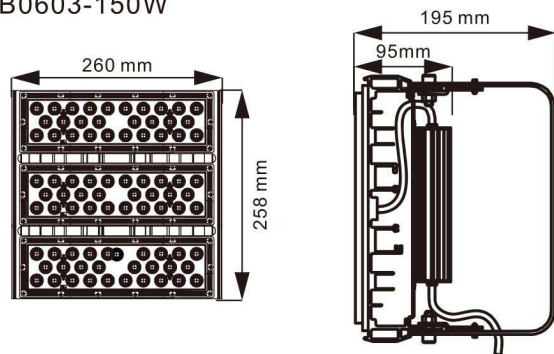
HB0601-50W



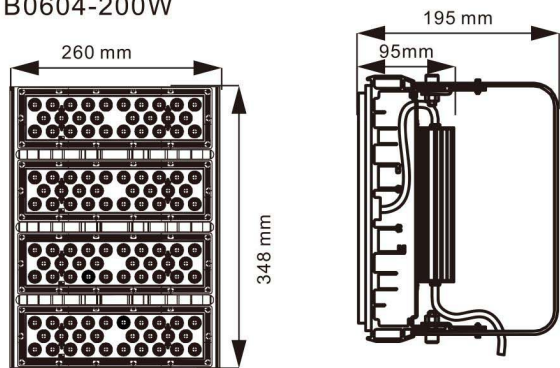
HB0602-100W



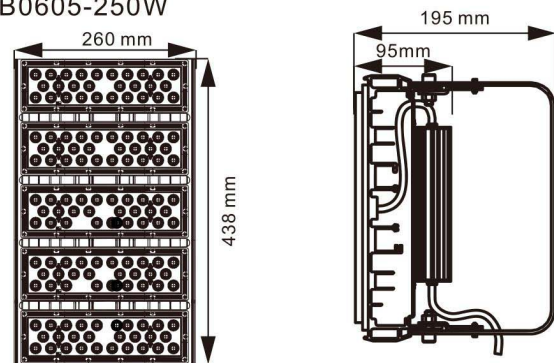
HB0603-150W



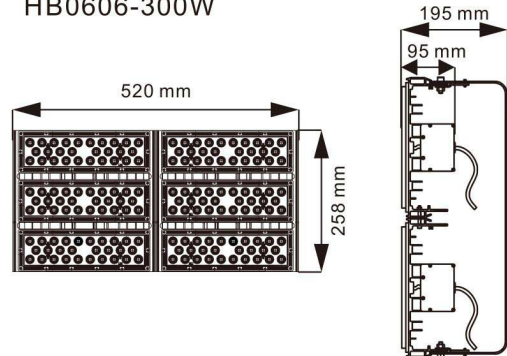
HB0604-200W



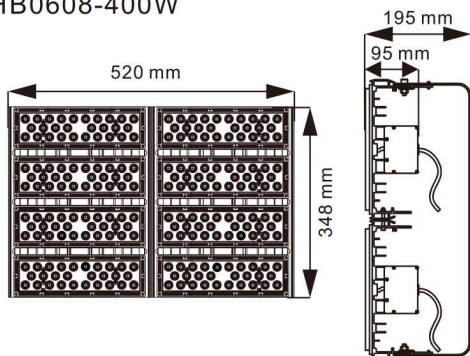
HB0605-250W



HB0606-300W



HB0608-400W



HB0610-500W

