

EL-SL11 LED Lamps

HES EL-SL11 LED lamps, are the ideal solution for street lighting and residential areas. Equipped high quality electrical components, assured long lifetime working. Efficient lighting system could reduce energy consumption and create a more attractive urban living environment and visual comforts for public and residential areas.

5years warranty



Features

- High pressure die-casting aluminum housing
- Excellent thermal management
- High efficient SMD LEDs
- Patented optics for being increased application efficiency
- Multiple beam angles options for wide applications.

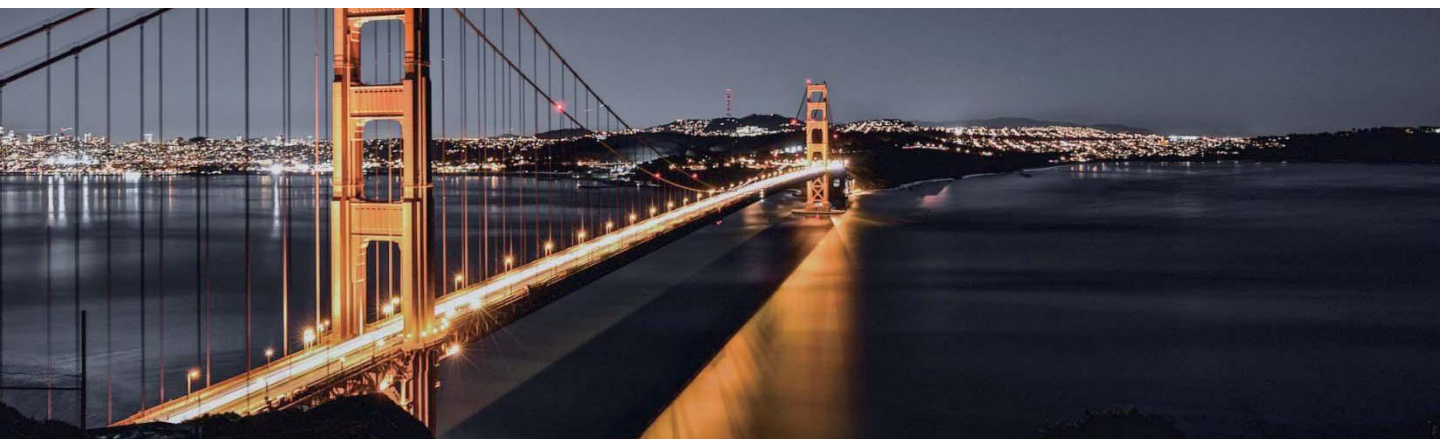


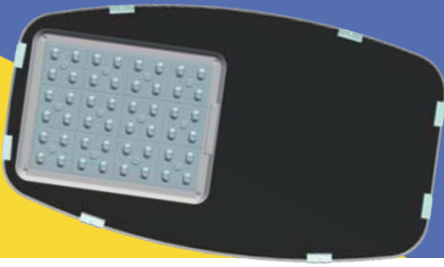
Applications

- Highway roads
- Streets
- Parking
- Residential

Certifications

CE, CB, GS, IEC, ROHS, LM80, LM79
Manufactured according to ISO 9001 and ISO 14001



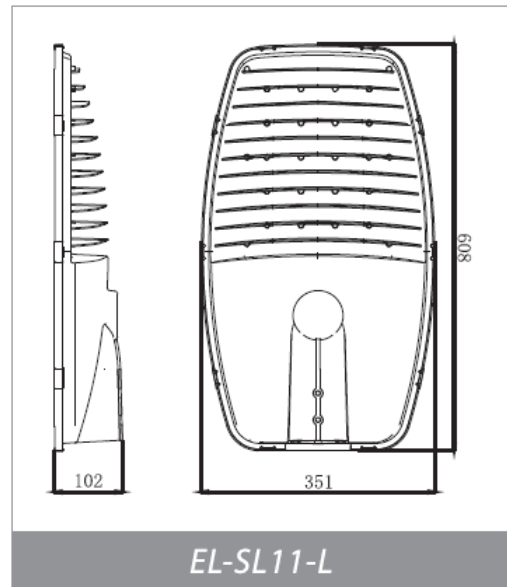
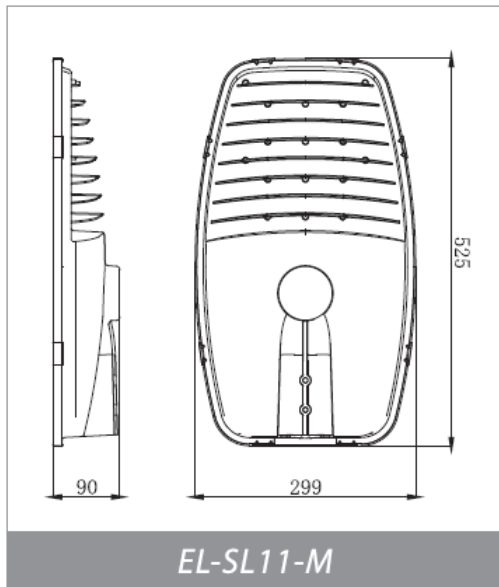
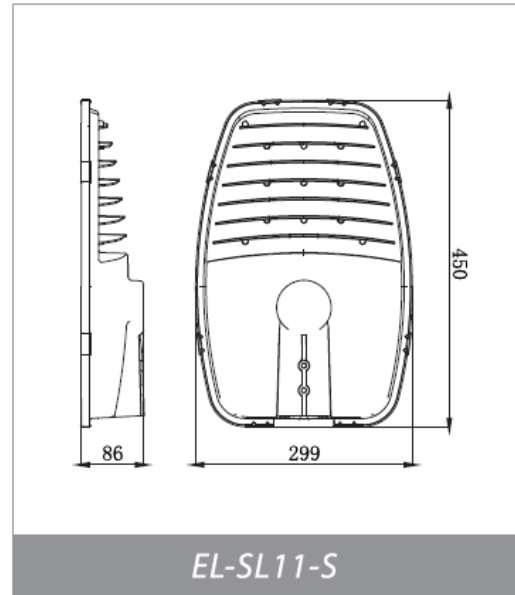
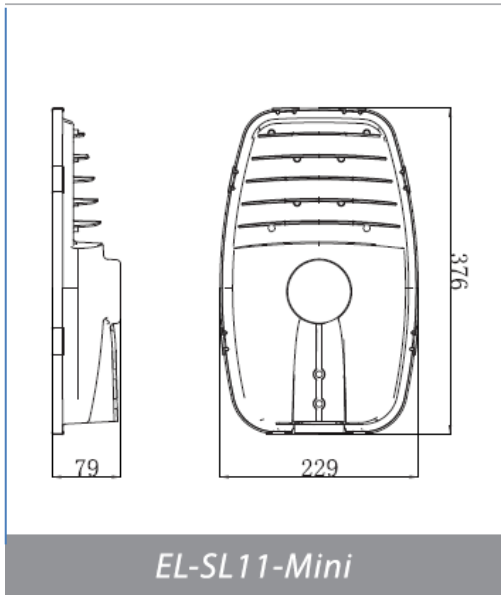


**Born for Sun.
Light for You.**

Specification

Model	EL-SL11-Mini(Mini version) EL-SL11-S(Small version) EL-SL11-M(Medium version) EL-SL11-L(Large version)
Light source	Integral LED Module
Power	30W/40W 50W/60W 80W/90W/100W/120W 150W/180W/200W (Other power upon request)
Luminaire flux	1400-5500Lm(Mini version) 6500-7800Lm(Small version) 10000-16000Lm(Medium version) 19500-26000Lm(Large version)
Luminaire efficacy	110-140lm/W
CCT	4000K (3000K/5000K/5700K upon request)
CRI	> 70 > 80(upon request)
Lifetime	100,000 hours at 25°C ambient temperature
Operating temperature range	-30 to 45°C
Driver	Meanwell (Inventronics optional) Other brand of driver(upon request)
Electrical	Class I or Class II Input voltage: 90-305VAC/50-60Hz,170-305VAC/50-60Hz 10KV/20KV SPD Power automatically switch off when opening
Dimming	Dali 1-10V PWM AstroDIM for autonomous dimming with five independent levels Smart control management system
Options	Photocell NEMA socket Surge protection device (10KV/20KV) 0.5m External cable(Other length upon request) Smart control device Motion detection Angle title bracket
Materials	Housing: ADC12 die-cast aluminum Cover: Toughened Glass Screws: 304 stainless screws
Color	Grey/ Black/ white
Tightness level	IP65
Impact Resistance	IK08

Dimension



To find out more visit www.henergy.com

HUSN ENERGY SOLUTIONS LIMITED

BLDG#2, ZN1 YUEYUAN FENGTAI DIST BEIJING 100161 CHINA 86-10-62410136

All specific cations and information are given with good intent, errors are possible and products may be subject to change without notice. Pictures may differ from actual products depending on local market re-quirements and regulations. A solar power system consists of a controller, inverter and load end. Multiple controllers/inverters are shown to represent the wide range that HES has.